



McDANIEL

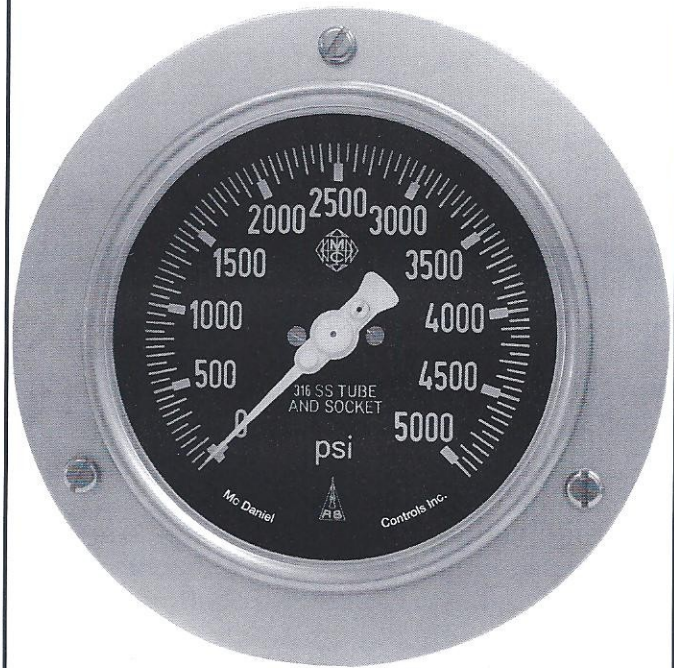
Subsea Gauges

When Accuracy and Durability Matters.

Expansion in the Subsea equipment business has created a demand for a quality Subsea pressure gauge which can be trusted to get the job done in depths up to 10,000 feet / 3,000 meters of sea water.

McDaniel Controls, Inc. using 40 years of gauge experience, created the most dependable pressure gauge for installation on an array of Subsea equipment being sent to the ocean floors around the world.

The McDaniel Subsea pressure gauge is the best choice for any Subsea environment where dependability and proven performance is required.



SPECIFICATIONS

Accuracy:

0.5% full scale to ASME B40.1
Standard (Grade 2A) up to 10,000 PSI
1.0% Full Scale 15,000 PSI and Above

Dial:

4" or 6" Black Dial with White Numbers and Markings for increased readability underwater.

Pointer:

White Aluminum Adjustable Pointer.

Lens: Polycarbonate

4" Size: 4 mm/.157 inches thick.
6" Size: 3 mm/.118 inches thick.

Pressure Ranges:

0 - 15 PSI and 0 - 35,000 PSI

100% Glycerin Filled:

**Glycerin/Water Mixtures Suitable for Colder Temperatures Available On Request.

Case:

304SS Liquid Filled
Pressure Tight for depths 0 to 10,000 Ft.
(3,000 Meters) of Sea Water.

Lens Bezel:

304SS

Internals:

316SS with Heavy Duty Movement Equalizing Membrane, Mechanical Over Range Stop.

Bourdon Tube:

316 Stainless Steel (C Form 600 PSI & Below).
(Spiral 800 PSI & Above).

130% Full-Scale Without Loss of Accuracy

300% Full-Scale Without Rupture

Stem and Socket:

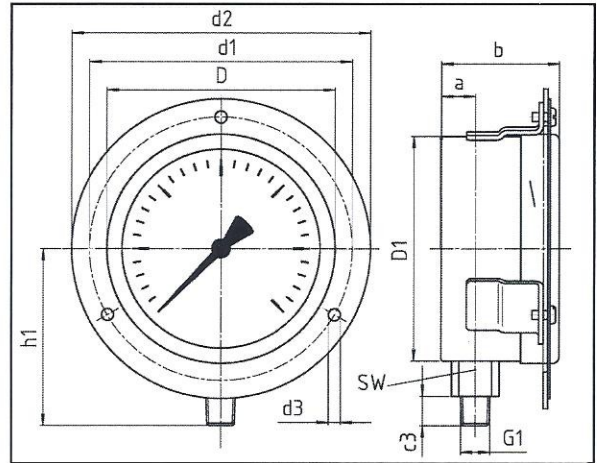
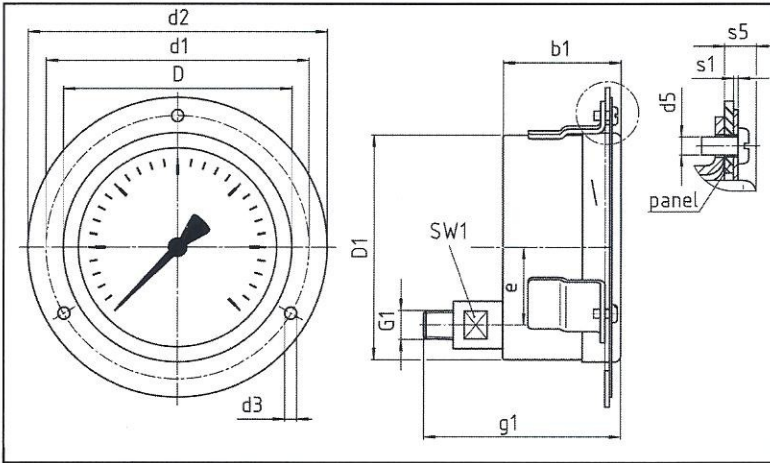
316SS Bottom or Lower Back Connected
Available In: (1/4"NPT, 1/2"NPT, 1/4"MPF, 1/4"HPF,
9/16"HPF, 9/16"HPM)

McDaniel Controls, Inc.

P. O. Box 187, Luling, LA 70070 • 14148 Highway 90, Boutte, LA 70039 U.S.A.
(985) 758-2782 • New Orleans (504) 467-1333 • Fax (985) 758-1688

www.mcdanielcontrols.com

DIMENSIONAL DATA



	NCS	a	b	b1	c3	D	D1	d1	d2	d3	d5	e	G1	g1	h1	s1	s2	s3	s5	SW	SW1
MM	100	20	55	55	13	101	99	116	132	4.8		30	1/4"NPT	90	78	1	2	5.5	7	22	17
in.	4"	.79	2.17	2.17	.51	3.98	3.9	4.57	5.2	.19	M4	1.18	1/4"NPT	3.54	3.08	.04	.08	.22	.28	.87	.67
MM	160	15	50	55	13	161	159	178	196	5.8		30	1/4"NPT	90	108	1.5	2.5	6	8	22	17
in.	6"	.59	1.97	2.17	.51	6.34	6.26	7.01	7.72	.23	M5	1.18	1/4"NPT	3.54	4.25	.06	.1	.24	.31	.87	.67

McDaniel also makes gauges in other materials; in sizes and ranges to fit a wide variety of applications, and in many special configurations.

Ask your representative about McDaniel's complete line of pressure gauges.

HOW TO ORDER

Order by full description. Specify for SUBSEA USE

WARNING:

**Glycerin filled gauges are not to be used in applications involving strong oxidizing agents such as chlorine, nitric acid, or hydrogen peroxide.
(Refer to ASME B40.1)**

Warranty

McDaniel warrants our pressure gauges to be free of defects in material and workmanship: Replacement of any defective gauge will be made at no cost to the purchaser. Gauge failures determined to be caused by abuse, over-range and incompatibility with environment or process media will void warranty.

Repair

We will repair any McDaniel gauge for a cost of \$15.00 on 4" and larger sizes. Damaged sockets or bourdon tubes cannot be repaired. Prices are F.O.B. Boutte, Louisiana. U.S.A.

DISTRIBUTED BY:

It is recommended that users of pressure gauges become familiar with American National Standard ASME B40.1, entitled Gauges, Pressure and Vacuum - Indicating Dial Type - Elastic Element. This specification is available from:

American Society of Mechanical Engineers

3 Park Avenue
New York, New York 10016
Phone: 212-591-7722

SUBSEA 32012

George A. Rau & Co. Gretna, LA 70053 - 504-367-7822