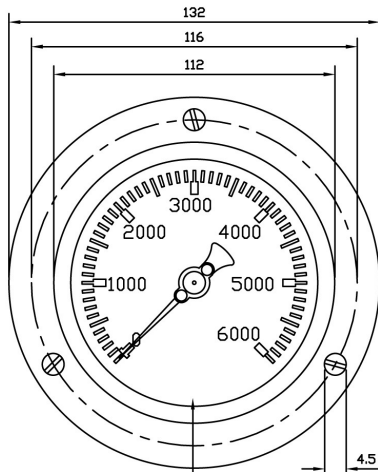




McDaniel Controls, Inc.

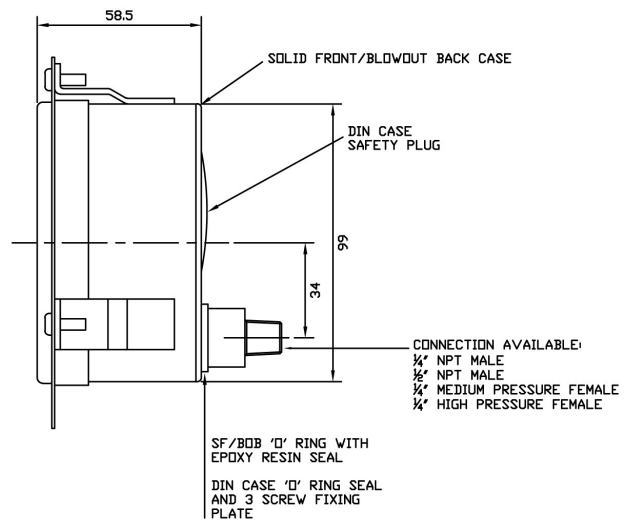
Quality Pressure Gauges

McDaniel Black Face subsea gauge data



STAINLESS STEEL DIN CASE
or
SOLID FRONT/BLOWOUT BACK
CASE
PANEL MOUNT, 3 HOLE FIXING

BLACK DIAL WITH WHITE MARKINGS
100% GLYCERINE FILLED WITH NO AIR BUBBLES
PLASTIC LENS
ACCURACY 0.5% TO ASME B40.1 Grade 1A
CASE 304 STAINLESS STEEL
INTERNALS 316 STAINLESS STEEL
INCLUDING HEAVY DUTY CONNECTION AND BOURDON TUBE



SF/BOB 'O' RING WITH
EPOXY RESIN SEAL
DIN CASE 'O' RING SEAL
AND 3 SCREW FIXING
PLATE

The McDaniel Control Inc 4" subsea gauge can be supplied with either a DIN case or solid front/blowout back case. The cases are made from 304 stainless steel. The heavy duty movement is 316 stainless steel. Both types of case are fitted with plastic lens and have a choice of NPT, Medium Pressure or High Pressure connections.